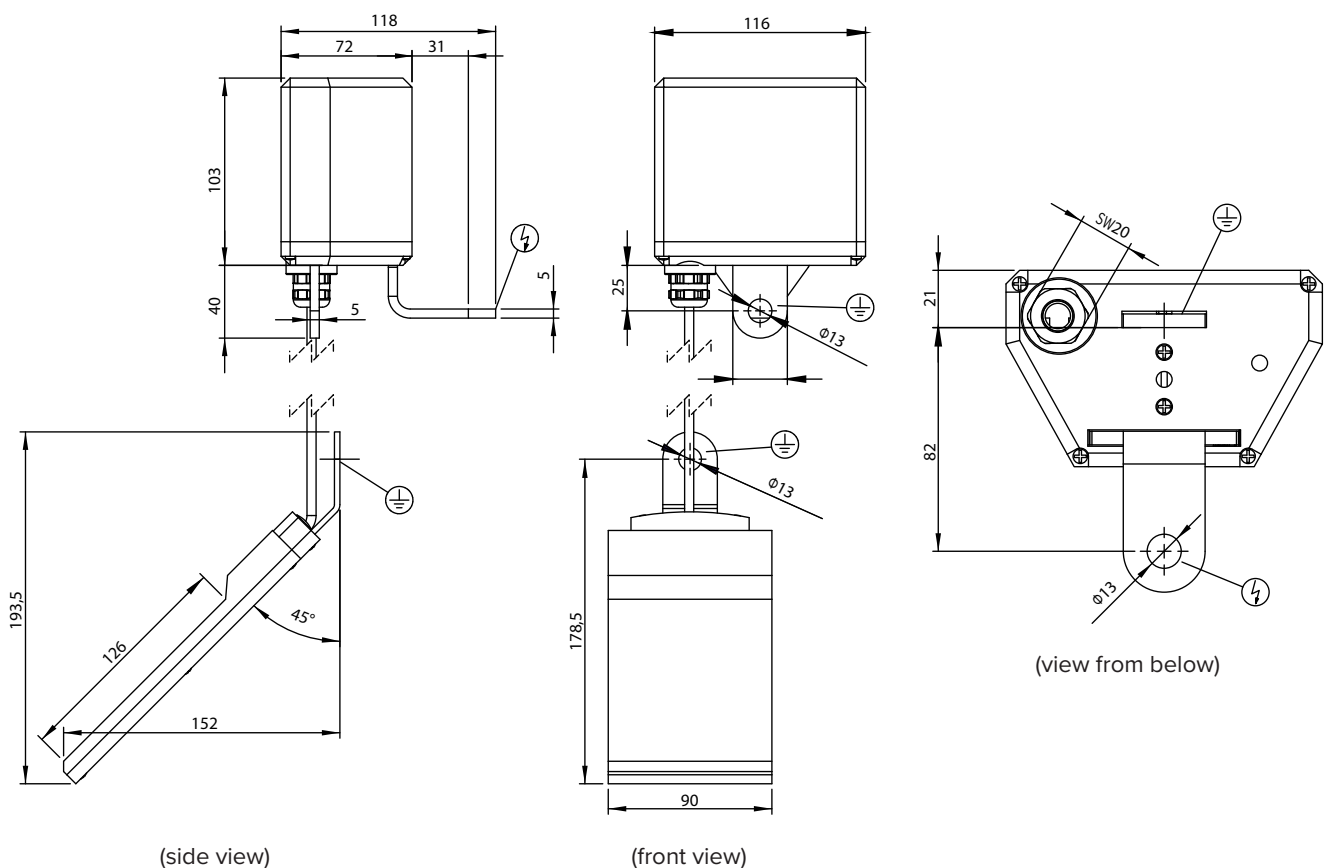


## Technical data and dimensions of smartCOUNT

Measuring range	
total leakage current	0 $\mu$ A to 50 mA peak/ $\sqrt{2}$
3rd harmonic leakage current	0 $\mu$ A to 5 mA r.m.s.
resistive leakage current	0 $\mu$ A to 5 mA r.m.s.
Leakage current resolution	1 $\mu$ A
frequency	16,6 Hz, 50 Hz, 60 Hz
measurement cycle	1/hour, 1/day, 1/week
surge counting classification (8/20 $\mu$ s)	$x \leq 100$ A $100$ A < $x \leq 1000$ A $1000$ A < $x \leq 5000$ A $w$ A < $x \leq 10000$ A $10.000$ A < $x \leq 40000$ A $40000$ A < $x \leq 100000$ A
memory (cyclic buffer)	1000 leakage current entries 1000 impulse current entries
time stamp format	YYYY-MM-DD hh:mm:ss
operating temperature	-40 to +60 °C
data cable length	1 to 30 m



Note: dimension of drawing in mm.